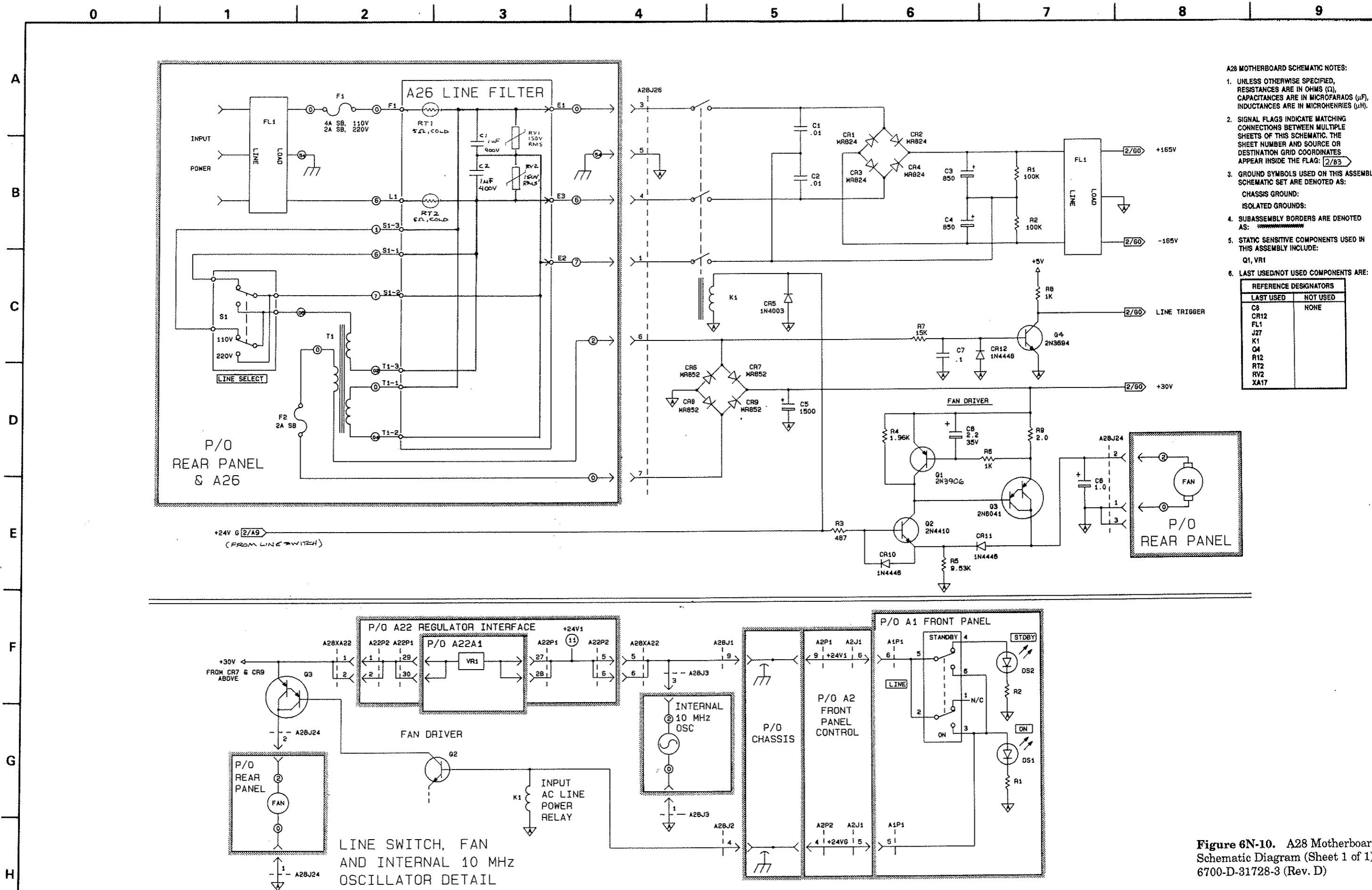
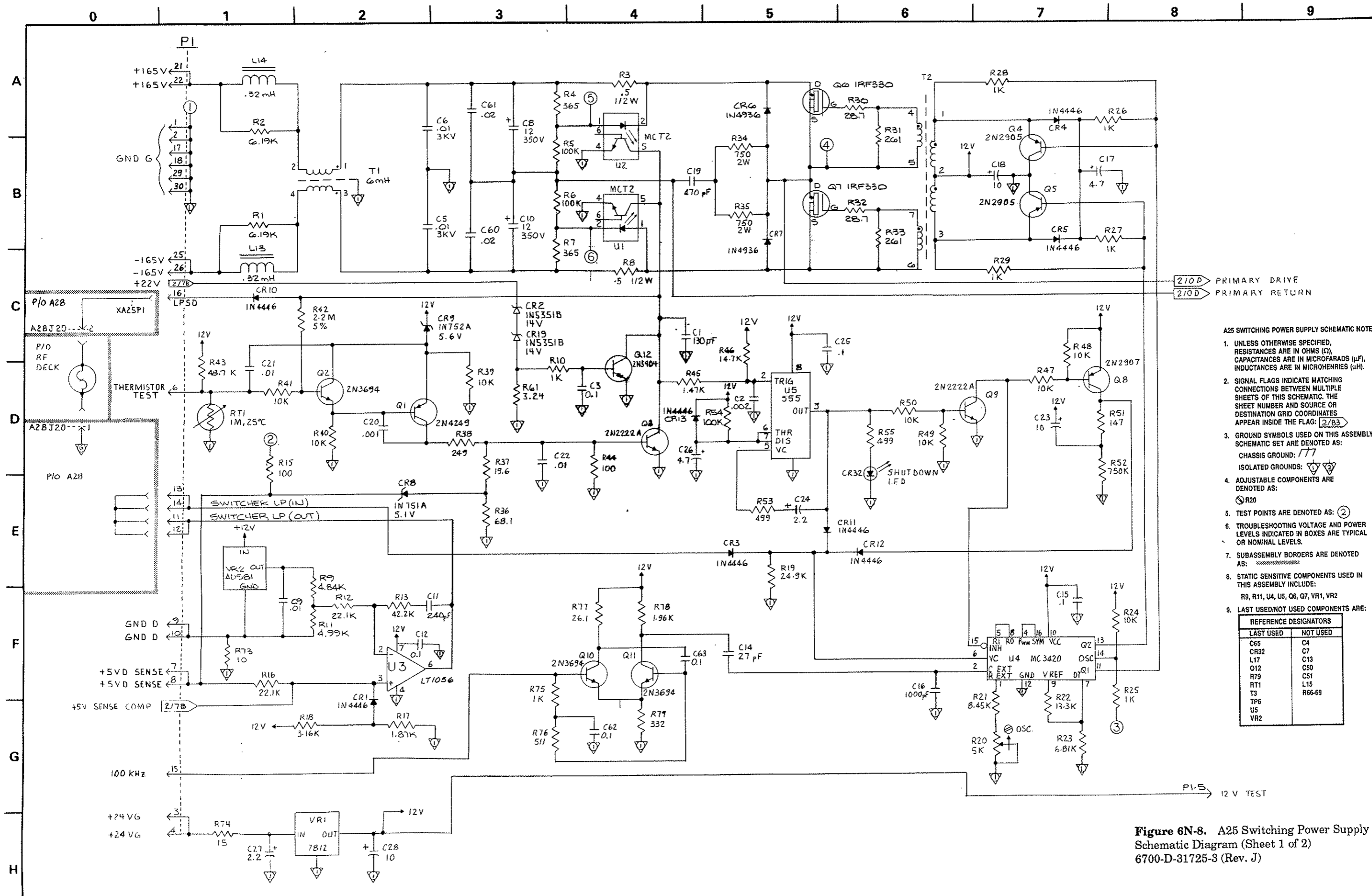


Figure 6N-4. Overall Power Supply Block Diagram



- A28 MOTHERBOARD SCHEMATIC NOTES:**
- UNLESS OTHERWISE SPECIFIED, RESISTANCES ARE IN OHMS (Ω), CAPACITANCES ARE IN MICROFARADS (μ F), INDUCTANCES ARE IN MICROHENRIES (μ H).
 - SIGNAL FLAGS INDICATE MATCHING CONNECTIONS BETWEEN MULTIPLE SHEETS OF THIS SCHEMATIC. THE SHEET NUMBER AND SOURCE OR DESTINATION GRID COORDINATES APPEAR INSIDE THE FLAG: $\boxed{2/B3}$
 - GROUND SYMBOLS USED ON THIS ASSEMBLY SCHEMATIC SET ARE DENOTED AS:
CHASSIS GROUND:
ISOLATED GROUNDS:
 - SUBASSEMBLY BORDERS ARE DENOTED AS: $\boxed{2/B3}$
 - STATIC SENSITIVE COMPONENTS USED IN THIS ASSEMBLY INCLUDE:
Q1, VR1
 - LAST USED/NOT USED COMPONENTS ARE:
- | REFERENCE DESIGNATORS | |
|-----------------------|----------|
| LAST USED | NOT USED |
| C8 | NONE |
| CR12 | |
| FL1 | |
| J27 | |
| K1 | |
| Q4 | |
| R12 | |
| RT2 | |
| RV2 | |
| XA17 | |

Figure 6N-10. A28 Motherboard PCB Schematic Diagram (Sheet 1 of 1) 6700-D-31728-3 (Rev. D)



A25 SWITCHING POWER SUPPLY SCHEMATIC NOTES:

- UNLESS OTHERWISE SPECIFIED, RESISTANCES ARE IN OHMS (Ω), CAPACITANCES ARE IN MICROFARADS (μ F), INDUCTANCES ARE IN MICROHENRIES (μ H).
- SIGNAL FLAGS INDICATE MATCHING CONNECTIONS BETWEEN MULTIPLE SHEETS OF THIS SCHEMATIC. THE SHEET NUMBER AND SOURCE OR DESTINATION GRID COORDINATES APPEAR INSIDE THE FLAG: $\frac{2}{B3}$
- GROUND SYMBOLS USED ON THIS ASSEMBLY SCHEMATIC SET ARE DENOTED AS:
 CHASSIS GROUND: ∇
 ISOLATED GROUNDS: ∇ ∇
 ADJUSTABLE COMPONENTS ARE DENOTED AS: \odot R20
 TEST POINTS ARE DENOTED AS: $\textcircled{2}$
- TROUBLESHOOTING VOLTAGE AND POWER LEVELS INDICATED IN BOXES ARE TYPICAL OR NOMINAL LEVELS.
- SUBASSEMBLY BORDERS ARE DENOTED AS: \cdots
- STATIC SENSITIVE COMPONENTS USED IN THIS ASSEMBLY INCLUDE:
 R9, R11, U4, U5, Q6, Q7, VR1, VR2
- LAST USED/NOT USED COMPONENTS ARE:

REFERENCE DESIGNATORS	
LAST USED	NOT USED
C65	C4
CR32	C7
L17	C13
Q12	C50
R79	C51
RT1	L15
T3	R66-69
TP6	
U5	
VR2	

Figure 6N-8. A25 Switching Power Supply PCB Schematic Diagram (Sheet 1 of 2)
 6700-D-31725-3 (Rev. J)

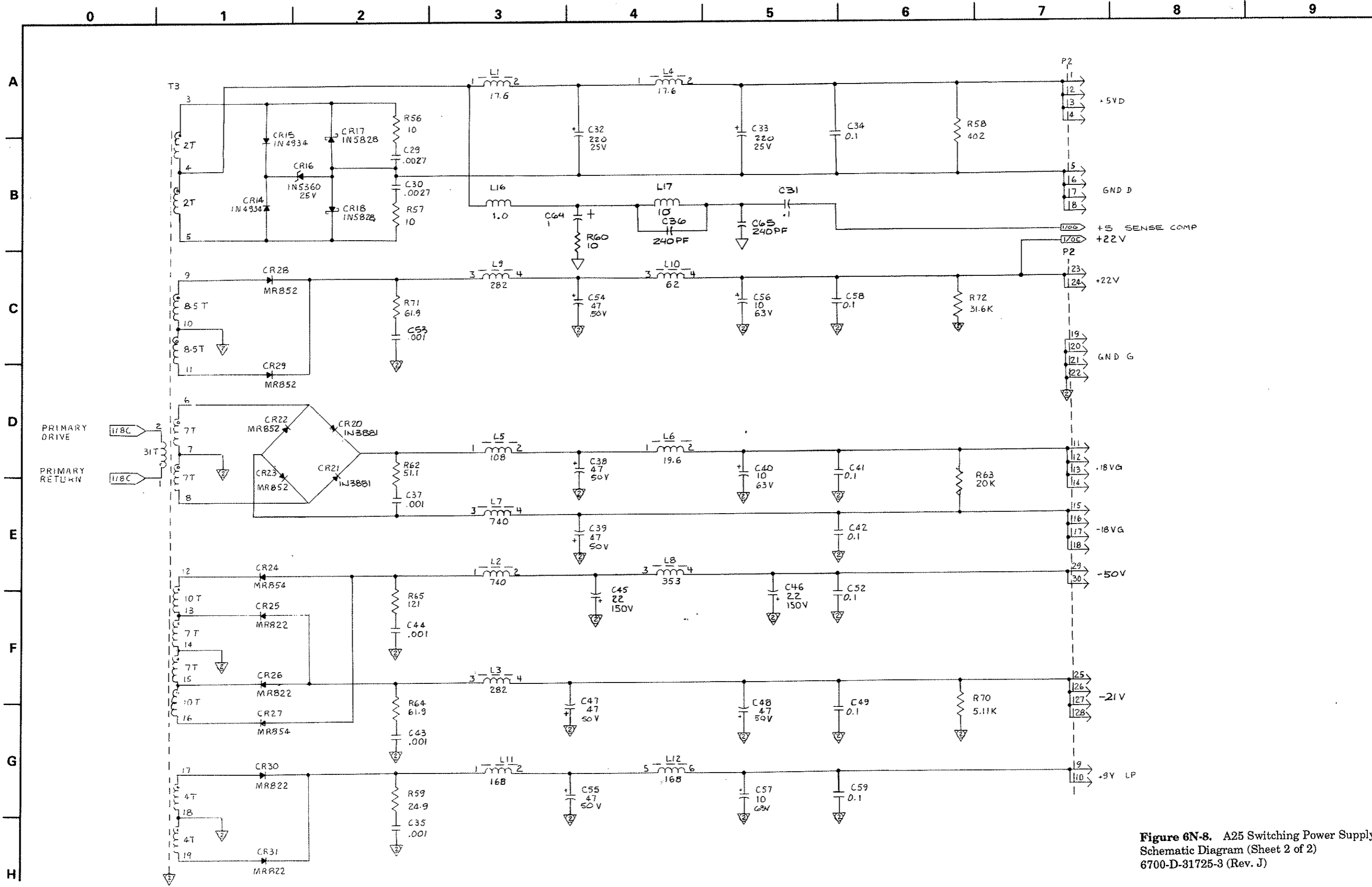


Figure 6N-8. A25 Switching Power Supply PCB Schematic Diagram (Sheet 2 of 2) 6700-D-31725-3 (Rev. J)

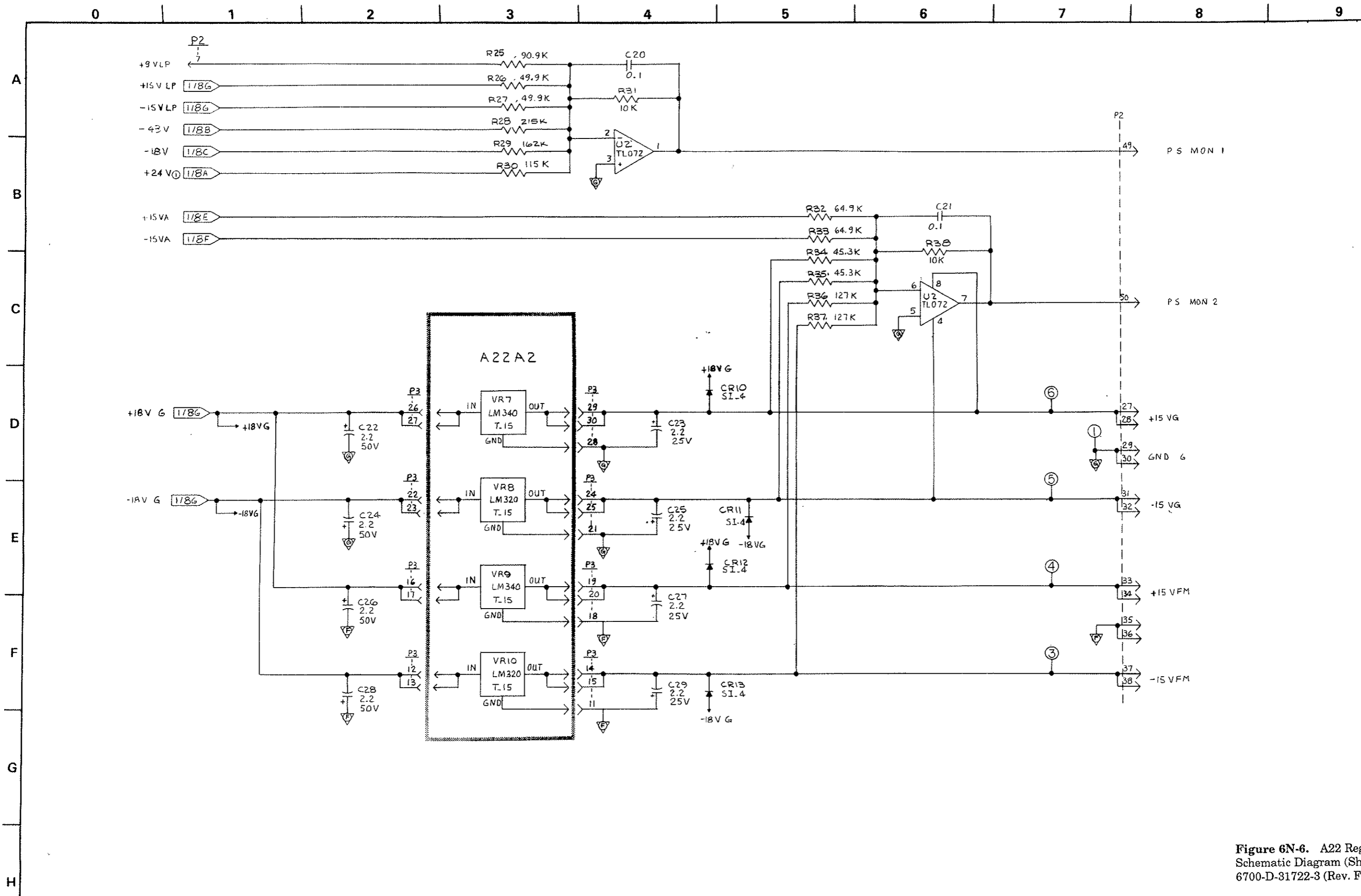


Figure 6N-6. A22 Regulator PCB Schematic Diagram (Sheet 2 of 2) 6700-D-31722-3 (Rev. F)